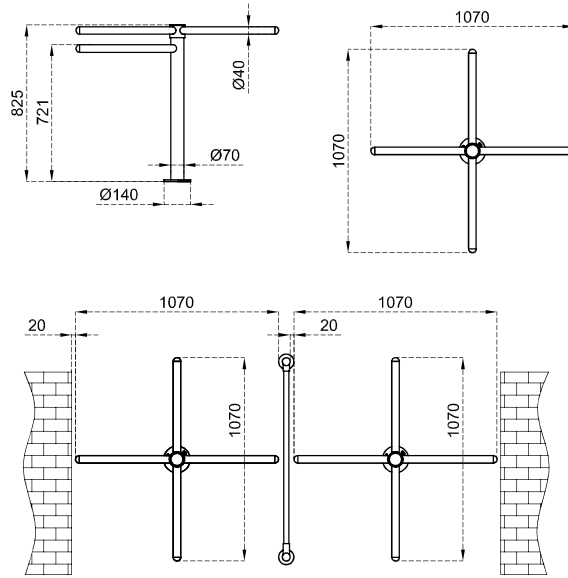




Dimensions (mm)



Technical Features

Place of Use	Indoors, outdoors (with wing adaptation)
Operating Intensity	%100, 7/24 use.
Body Features	Material : Ø70x2 mm 304 grade stainless steel. Finishing : Satine brushed (opt. orbital brushed matt, electrostatic powder coating on stainless steel).
Arms	Material : Ø40x2 mm 304 grade stainless steel pipe, Ø42x2,5 mm red painted steel anti-return arm Finishing : Satine brushed (opt. orbital brushed matt, electrostatic powder coating on stainless steel).
Operating Mode	System operates uni-directionally (clockwise or counter clockwise).
Operating System	Manual operation turning by pushing.
Weight	~15 kg
Optional Features and Accessories	Bottom plate